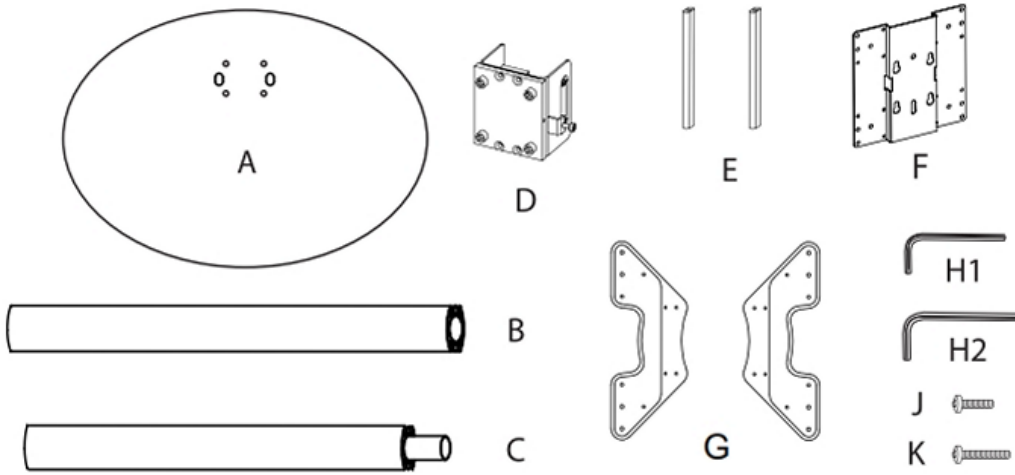


# Portable TV/Monitor Stand

This TV stand is designed to accommodate flat panel TVs from 28" to 70" diagonal weighing up to 90 Lbs.

Name	Part	Qty.
Base	A	1
Column A	B	1
Column B	C	1
Receiving Bracket	D	1
Column Support Inserts	E	2
VESA 100x100 to 200x200 Interface	F	1
VESA 300x300 to 400x400 expander	G	2
Allen Wrench	H1	1
Allen Wrench	H2	1
M5x12mm Screw	I	2
M6x60mm Screw	J	4
Column Connector Screw	K	1



Step 1

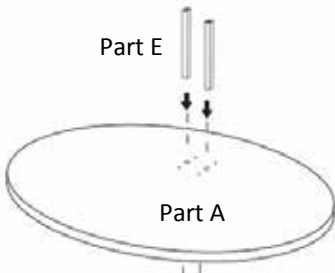


Figure 1



Step 2

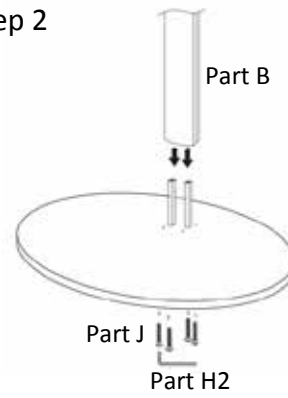


Figure 2

Step 3

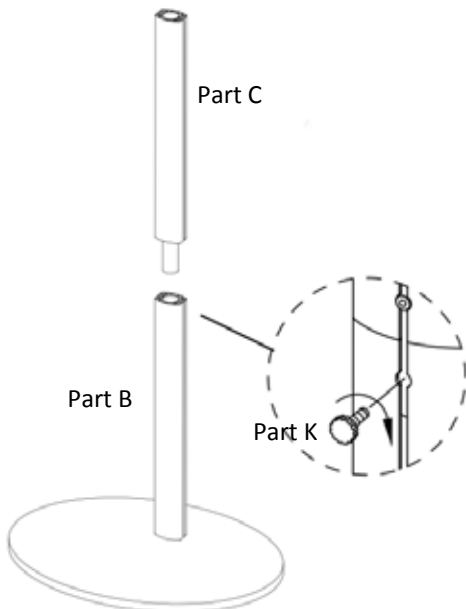


Figure 3

Step 4

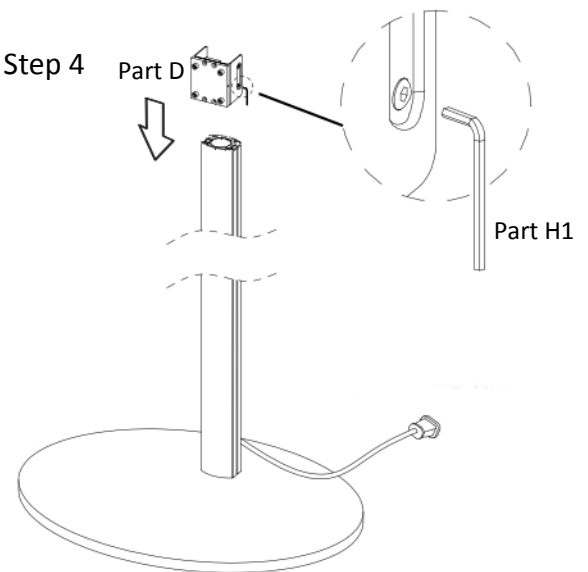
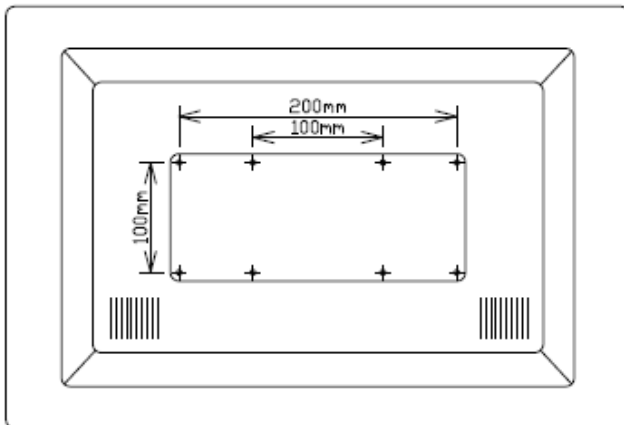
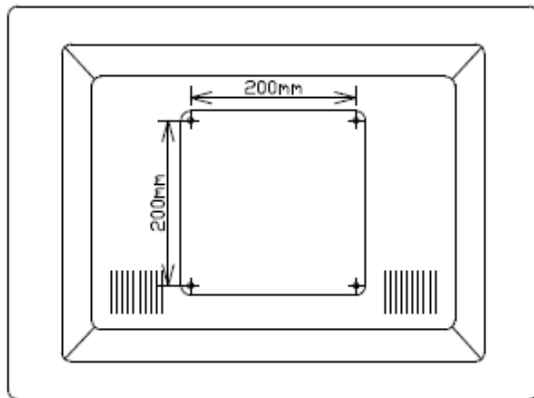
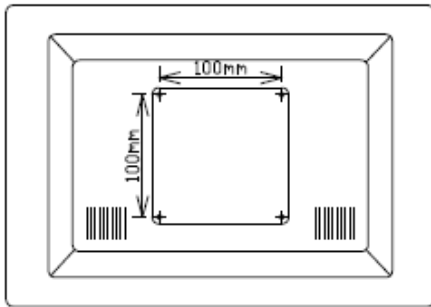


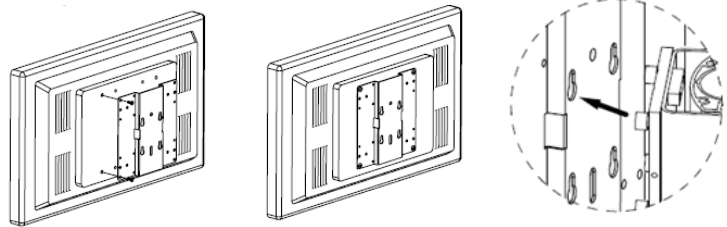
Figure 4

# VESA Interface 100x100 to 200x200 Installation

## VESA Patterns that work with this bracket

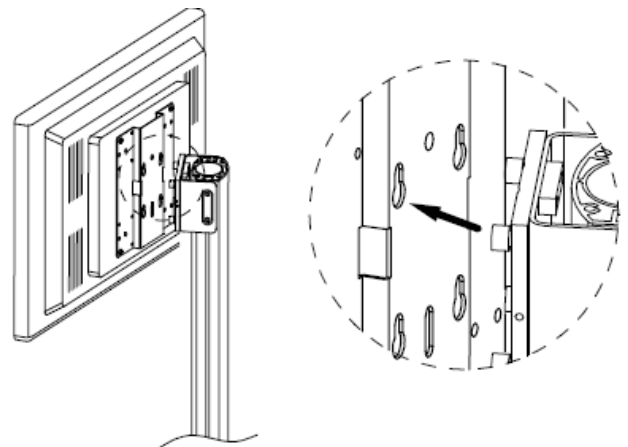


## Attaching VESA Bracket to TV

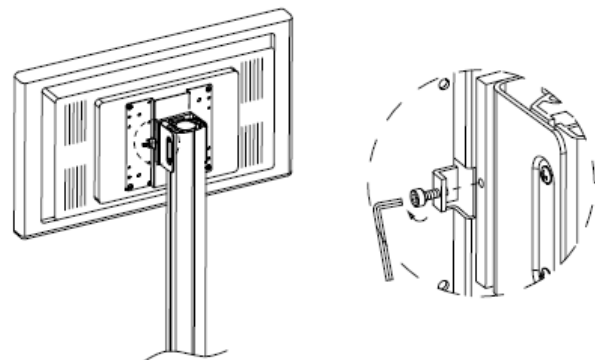


Align VESA Bracket (F) with the narrowest part of the “Keyholes up” with the corresponding mounting holes on the back of your TV. Attach VESA Bracket to your TV with provided screws and tighten with provided Allen Wrench (H2) until firm. Do not over tighten!

## Attaching TV to Receiving Bracket (D)

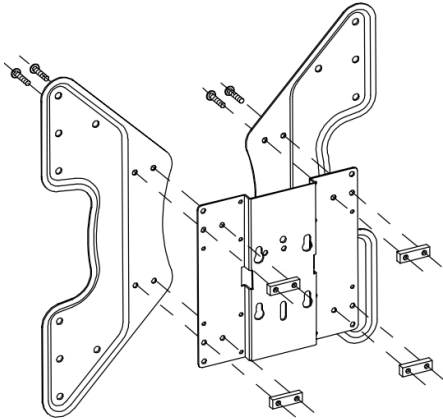


Remove the side clamp from Receiving Bracket (D) and set aside. Position widest part of “Keyholes” on VESA Bracket with the four receiving screws on Receiving Bracket (D) and slide VESA Bracket downward making sure the VESA Brackets is on all for receiving screws of the Receiving Bracket.



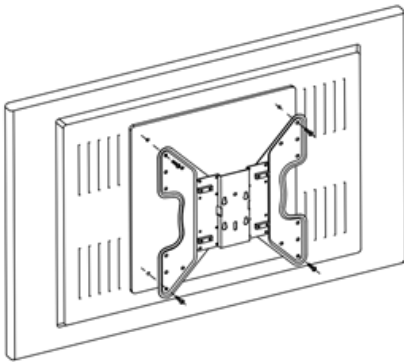
**Important:** Once VESA Bracket is in place on the Receiving Bracket (D) re-attach side clamp.

# VESA Interface 300x300 to 400x400 Installation



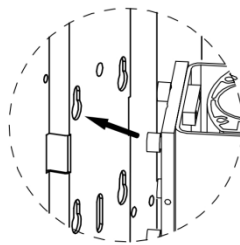
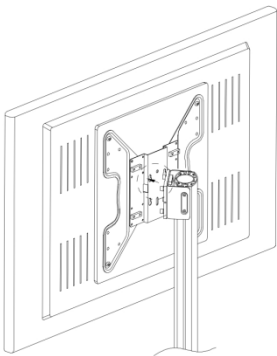
## Attaching VESA 300x300 and 400x400 Wings

Align the VESA Wings (G) holes with the mounting holes on the VESA 200 Bracket (F). Attach Wings (G) to the front of the VESA 200 Bracket (F) with provided screws and rectangular brackets as shown in the left image above.



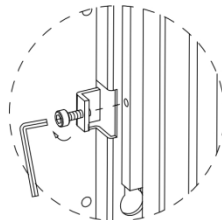
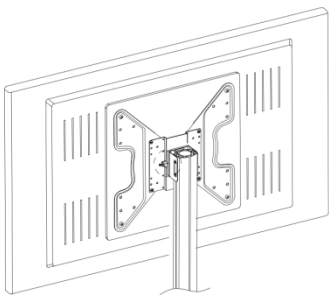
## Attaching VESA Bracket to TV

Align VESA Bracket (H&G) with the narrowest part of the "Keyholes" in the up position. Align with the corresponding mounting holes on the back of your TV. Attach VESA Bracket to your TV with provided screws and tighten with provided Allen Wrench (H2) until firm. Do not over tighten.



## Attaching TV to Receiving Bracket (D)

Remove the side clamp from Receiving Bracket (D) and set aside. Position widest part of "Keyholes" on VESA Bracket with the four receiving screws on Receiving Bracket (D) and slide VESA Bracket downward making sure the VESA Brackets is on all four receiving screws of the Receiving Bracket (D).



**Important:** Once VESA Bracket is in place on the Receiving Bracket (D) re-attach side clamp.