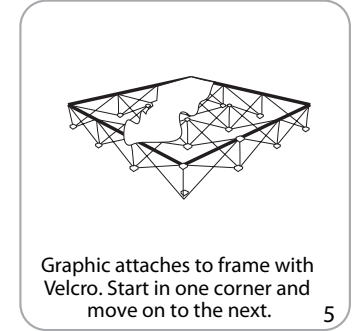
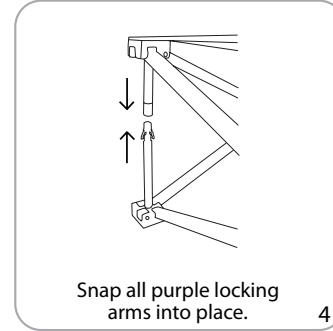
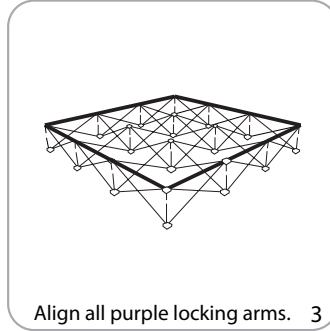
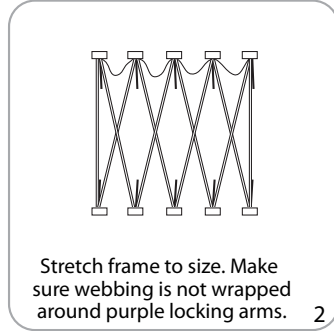
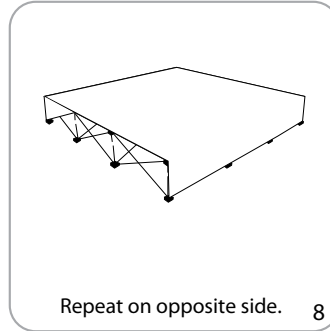
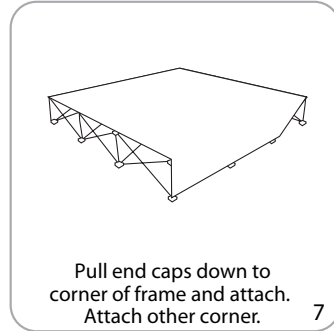
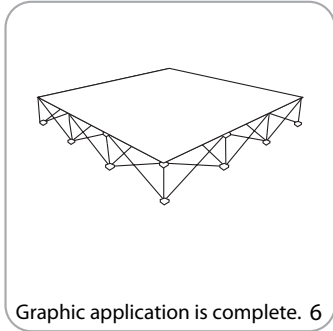


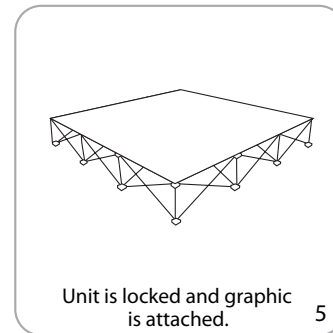
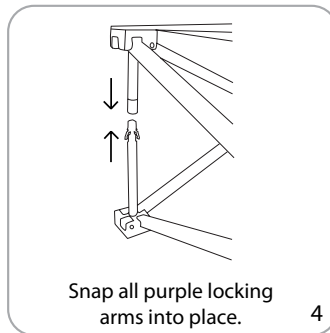
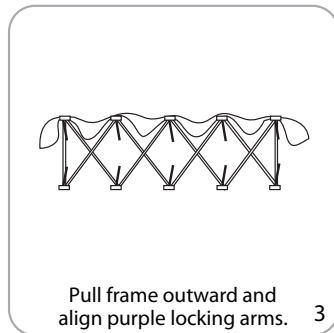
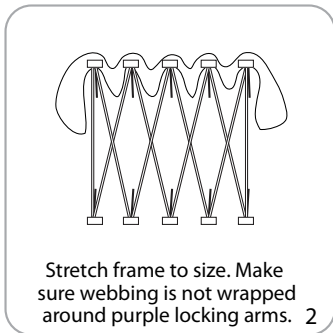
CAPTIVATE GRAPHIC ATTACHMENT



TO ATTACH END CAPS



CAPTIVATE W/GRAPHIC ATTACHED SET UP



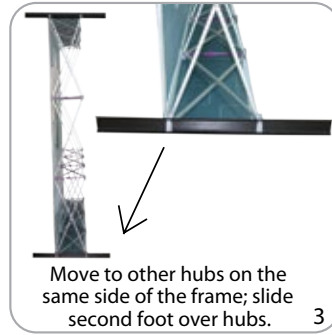
ATTACH STABILIZER FEET



After applying graphic, flip Captivate on its side to access bottom hubs. 1



Start with the largest end of the opening; Slide stabilizer foot over both hubs. Feet will fit snugly over hubs. 2

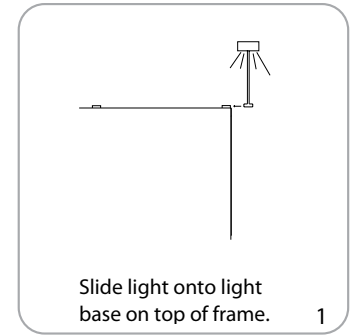


Move to other hubs on the same side of the frame; slide second foot over hubs. 3



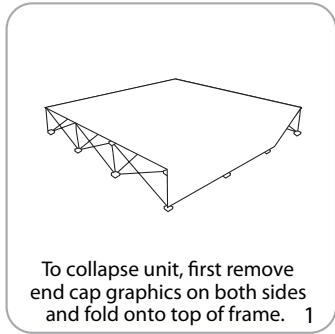
Once finished, flip frame right side up. Unit is complete. 4

TO ATTACH LIGHTS

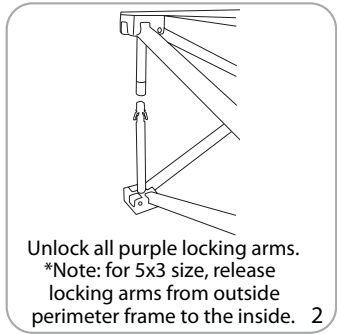


Slide light onto light base on top of frame. 1

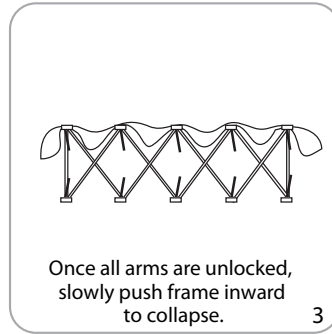
TO COLLAPSE



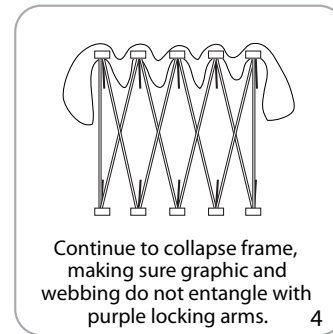
To collapse unit, first remove end cap graphics on both sides and fold onto top of frame. 1



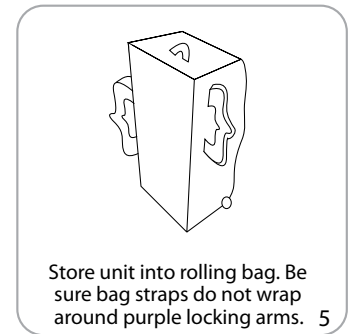
Unlock all purple locking arms. *Note: for 5x3 size, release locking arms from outside perimeter frame to the inside. 2



Once all arms are unlocked, slowly push frame inward to collapse. 3



Continue to collapse frame, making sure graphic and webbing do not entangle with purple locking arms. 4



Store unit into rolling bag. Be sure bag straps do not wrap around purple locking arms. 5

to ensure quality, please note:



If the webbing is wrapped around the purple locking arm, the arm can snap off when opening the unit.



When setting up, ensure that the arms are aligned. If not, the arms will snap when pressure is applied.



When packing unit in the bag, ensure that the strap is not partially wrapped around an arm. If it is, the arm will snap when pulled out of the bag.



When placing in a non-roller bag, ensure that arms are not outside of the bag.



Do not use the purple locking arm to lift unit. ALWAYS lift by the frame.